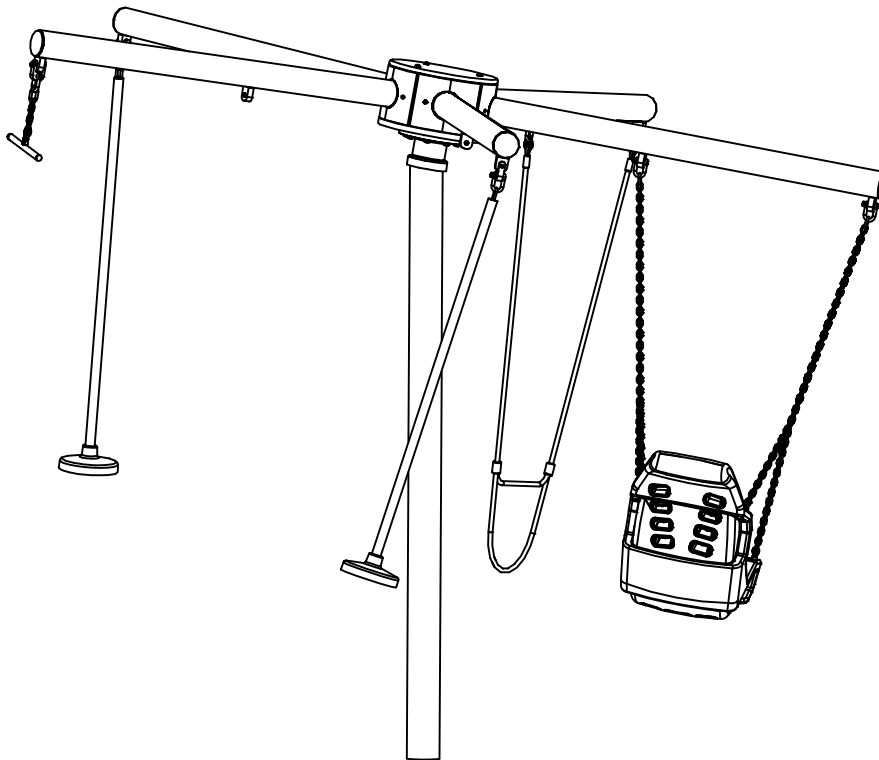
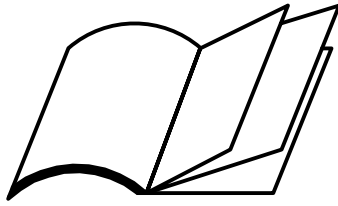


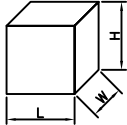
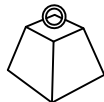
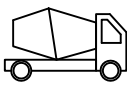
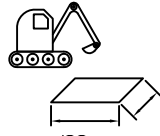
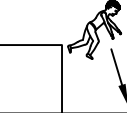

HAGS

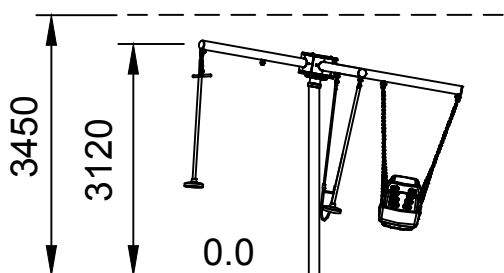
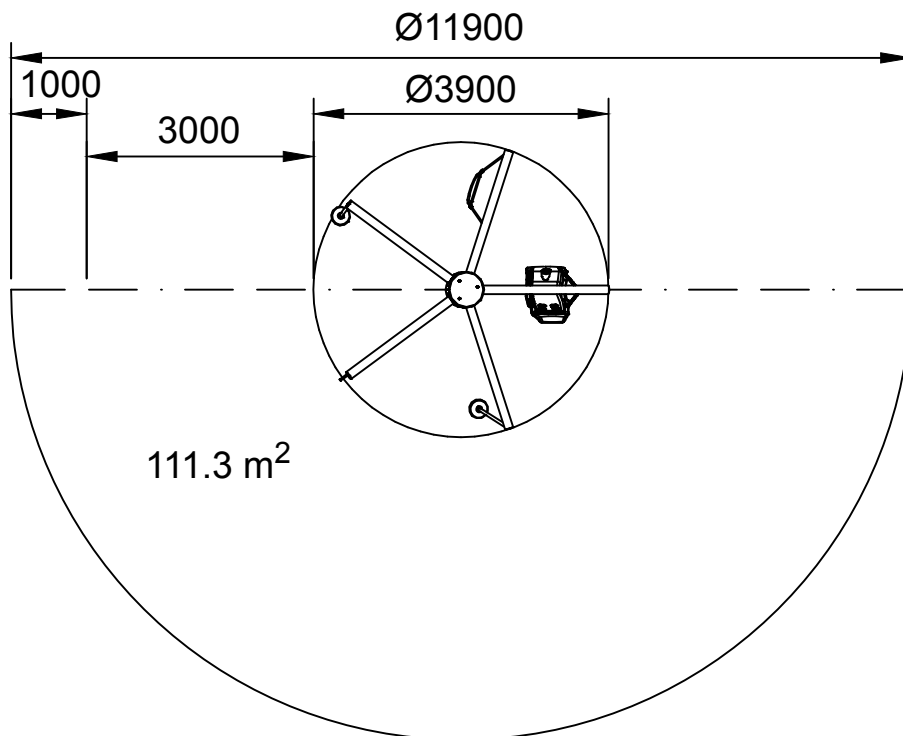
TITAN CAROUSEL CAR-TAN, CAR-TAN(N)

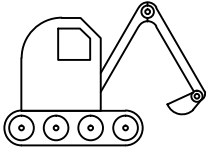




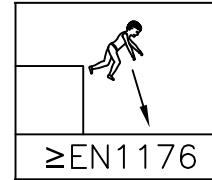
:

	 LxWxH (m)	 kg	 m ³	 m	 ≥EN1176	 x 2 = T
CAR-TAN	Ø3.900 x 3.12	397.0	2.05	12.00 x 12.00	1.50m	T = 32h

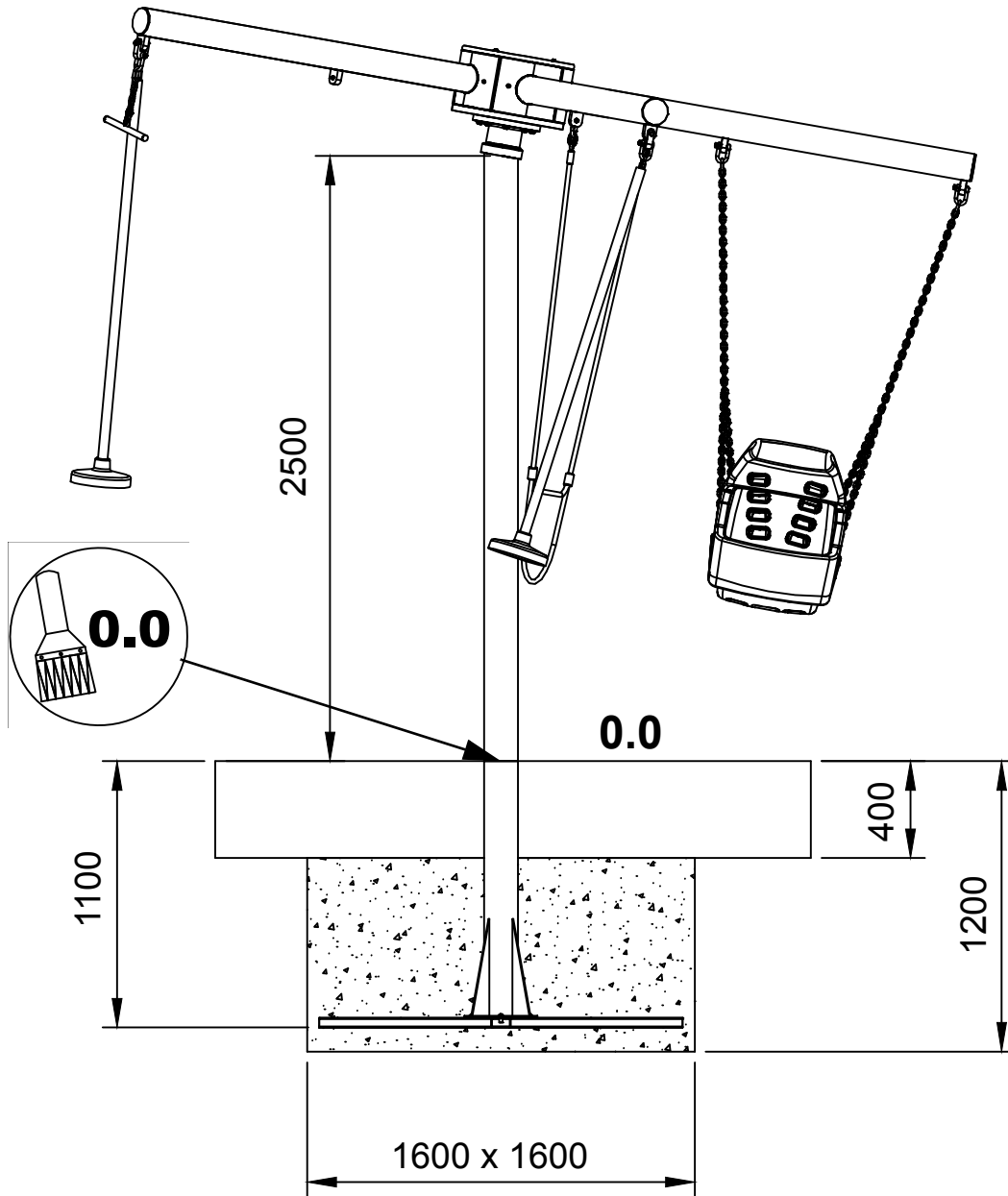


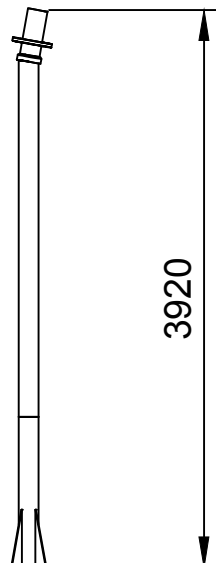
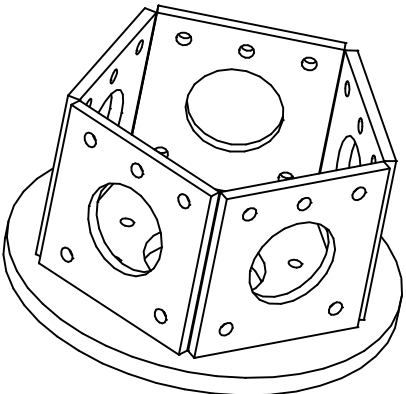
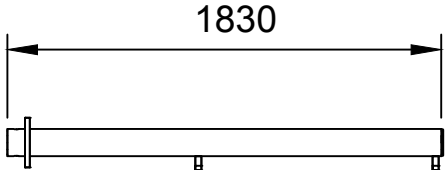
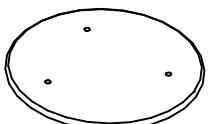
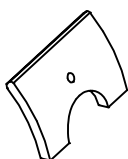


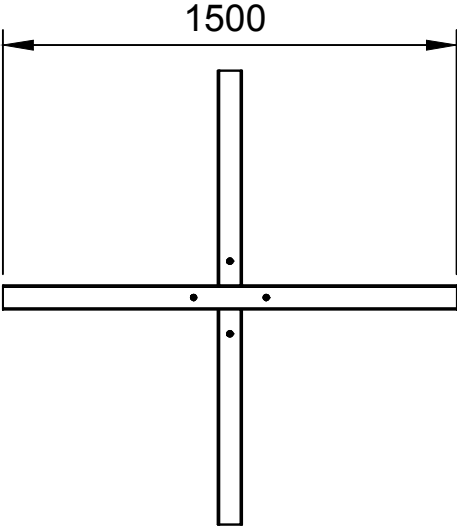
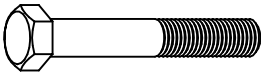
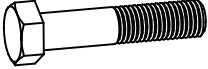

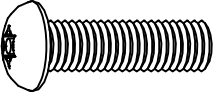
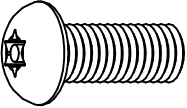
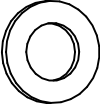
 101/144

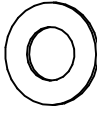
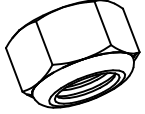

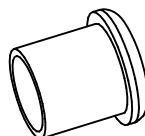
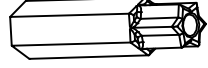


1.5 m

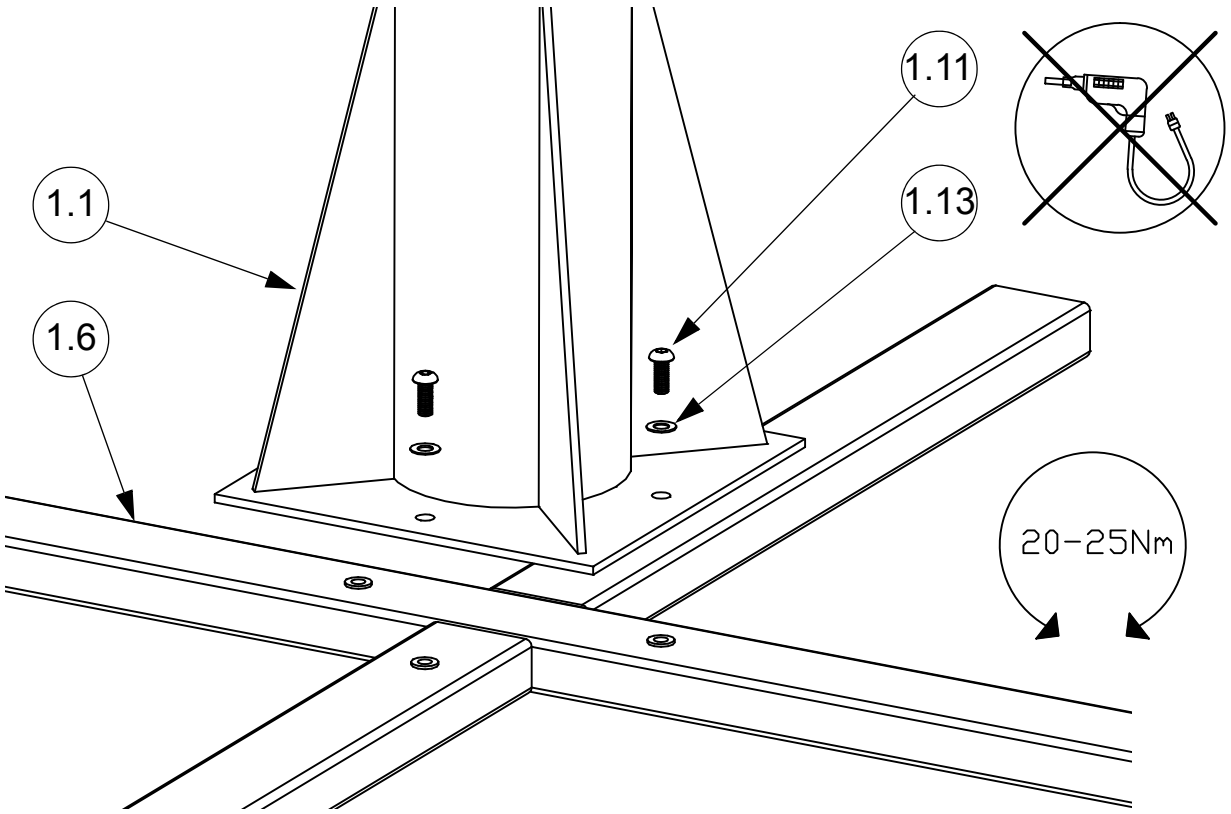


		CAR-TAN / CAR-TAN(N)		kg
1.1	71200100		1x	139.00
1.2	71200320		1x	52.00
1.3	71200110		5x	30.00
1.4	71200500		1x	3.50
1.5	71200530		10x	0.20

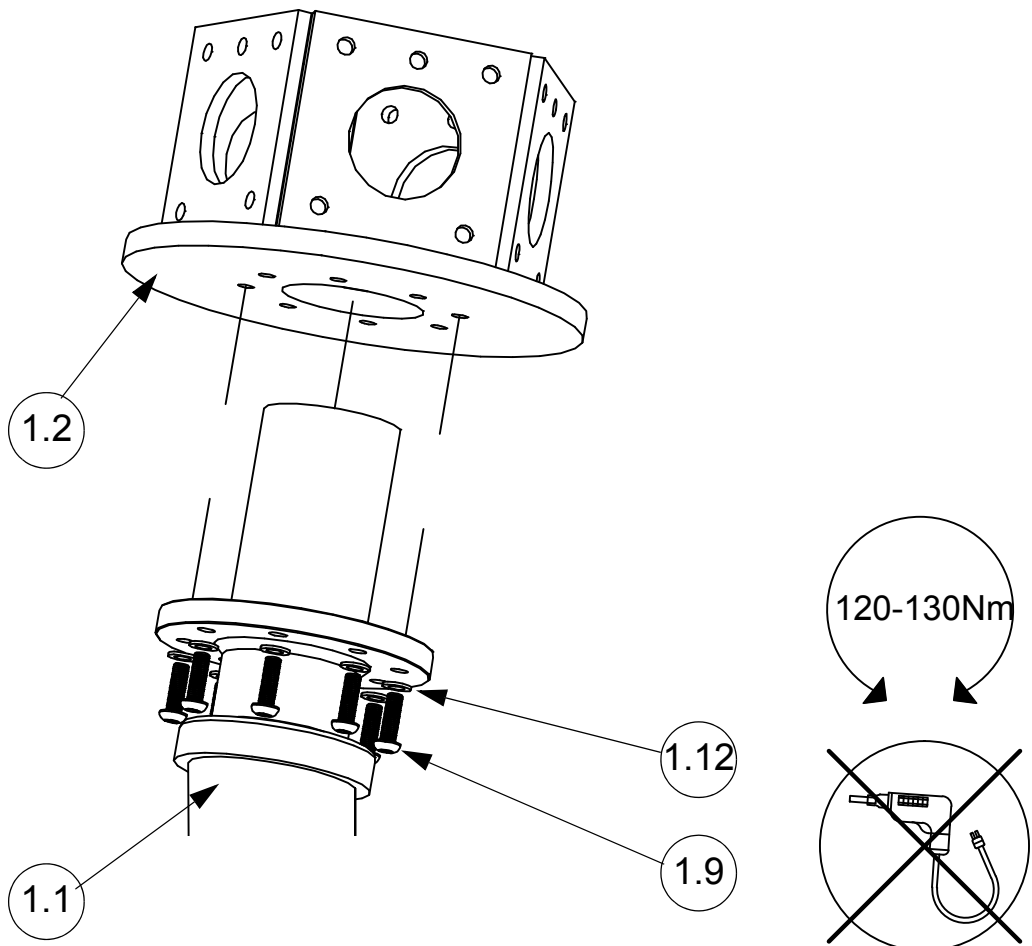
		CAR-TAN / CAR-TAN(N)		kg
1.6	71200315		1x	16.00
1.7	10252130	 M20 X 130	5x	0.362
1.8	10251675	 M16 X 75	25x	0.146
1.9	10141650	 M16 X 50	8x	0.060
1.10	10121035	 M10 X 35	3x	0.032
1.11	10121025	 M10 X 25	4x	0.024
1.12	10291600	 M16 17X30X3	58x	0.004

		CAR-TAN / CAR-TAN(N)		kg
1.13	10291000	 M10 11X21X1	7x	0.002
1.14	10321600	 M16	25x	0.030
1.15	10050540	 5 X 40	10x	0.007
1.16	19055090		10x	0.032
1.17	10121000	 T45 M10	1x	-

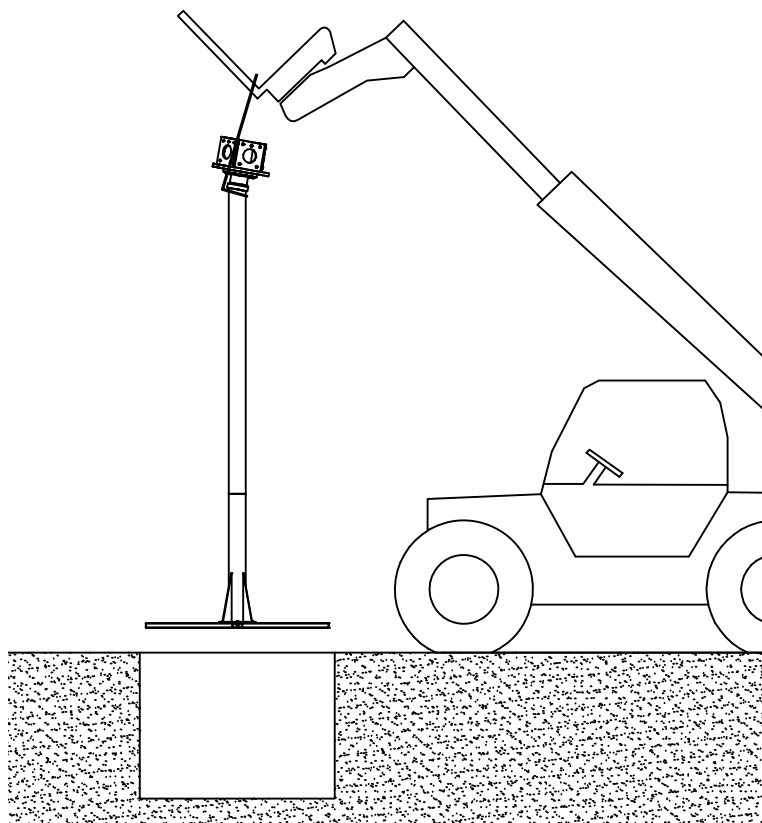
1



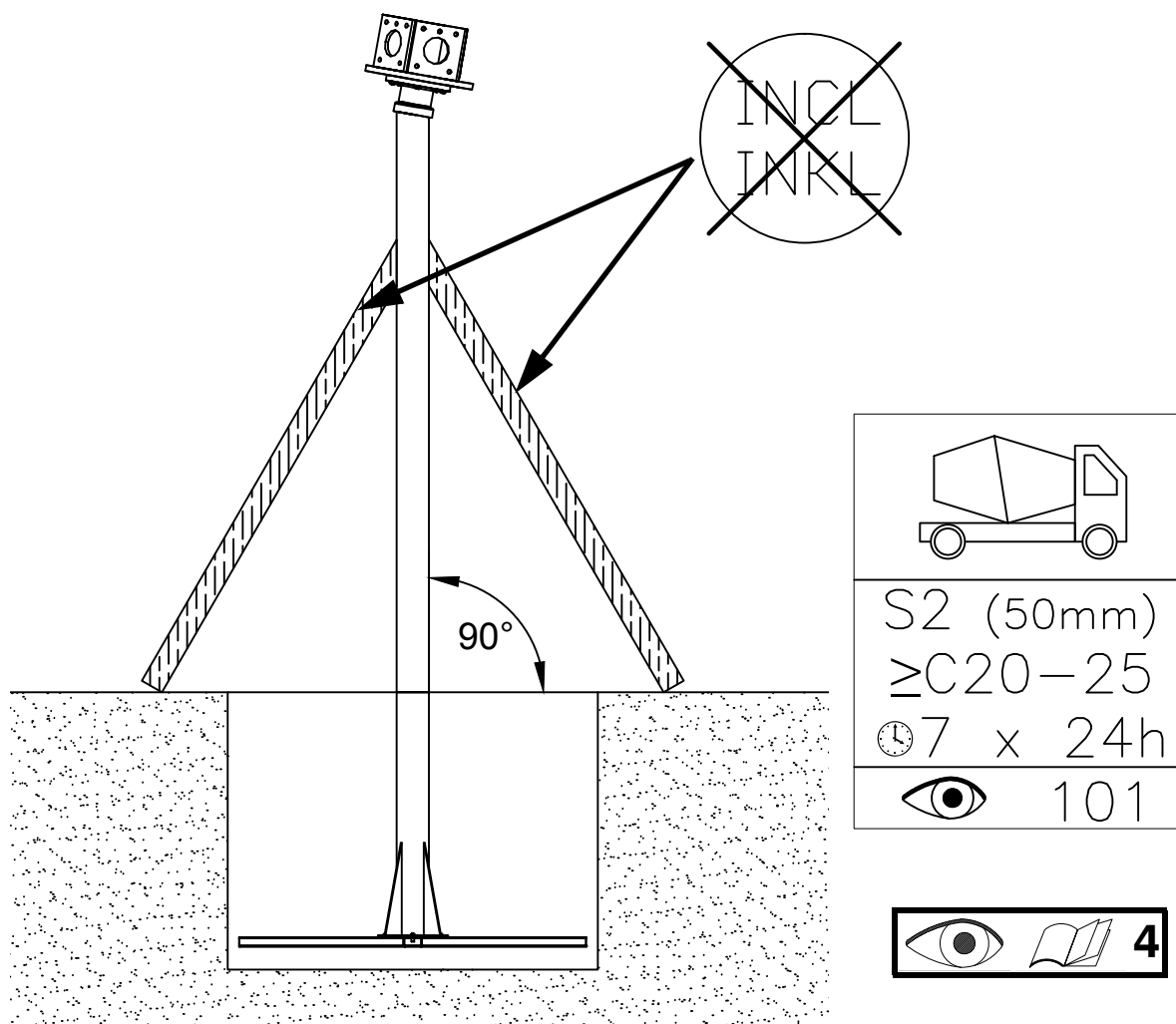
2



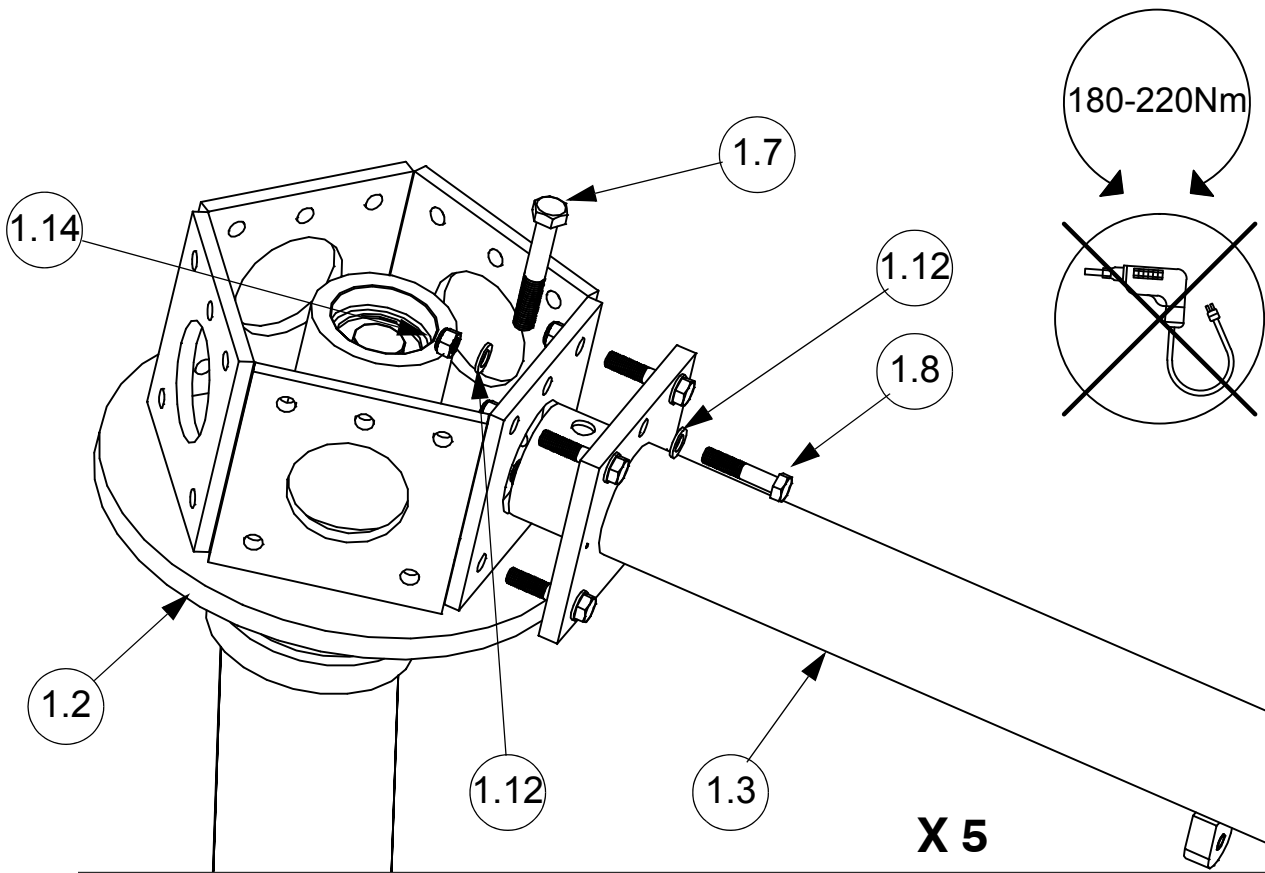
3A



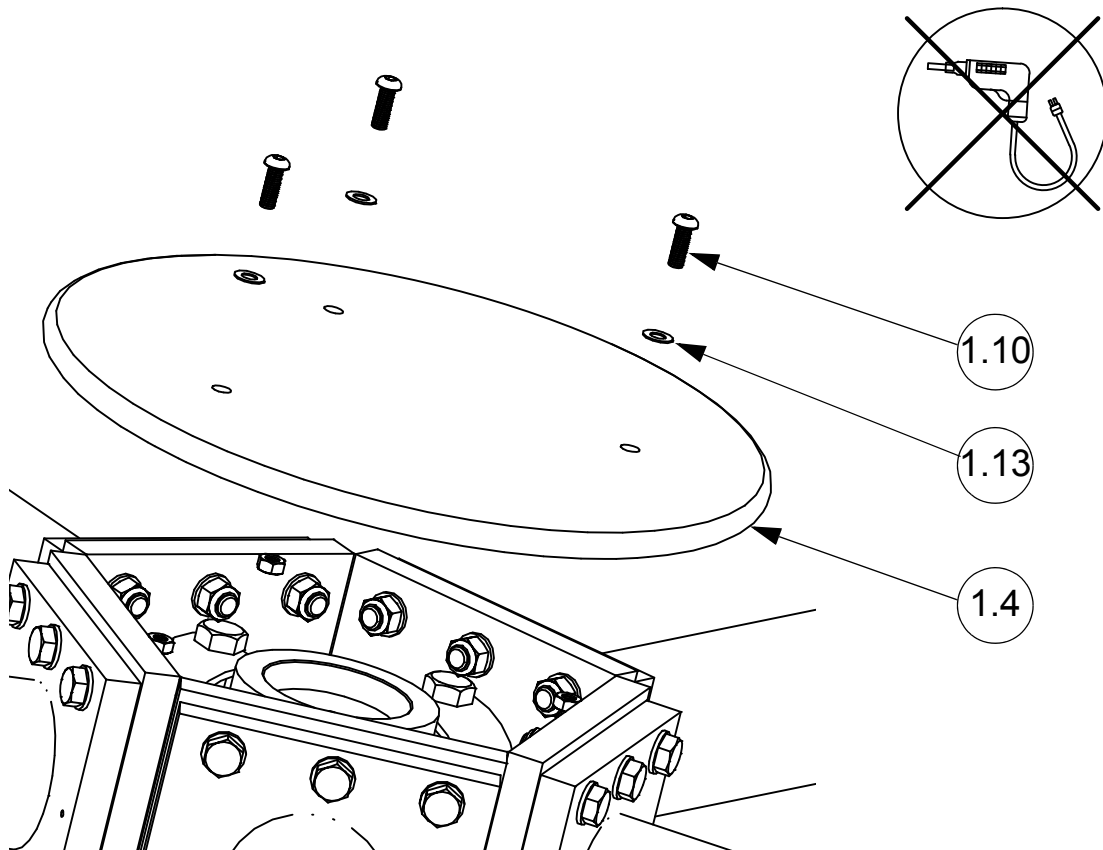
3B



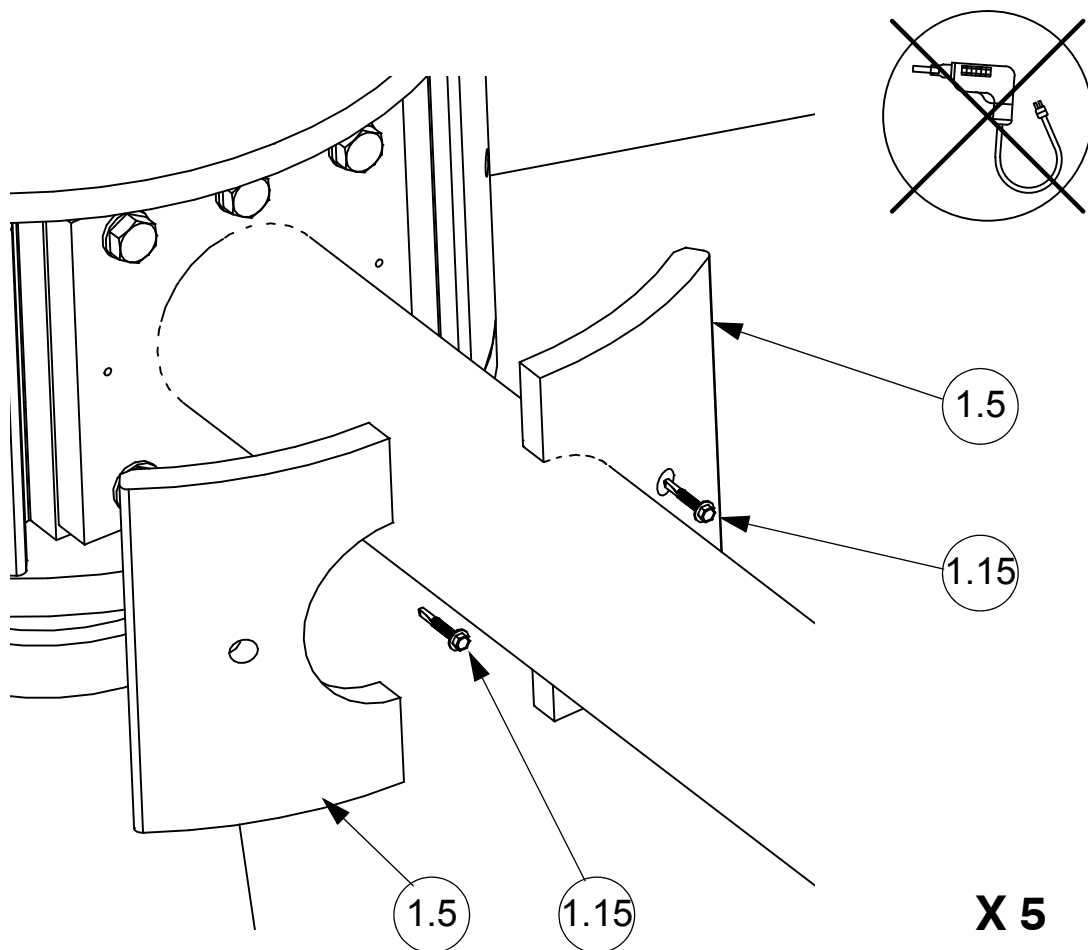
4

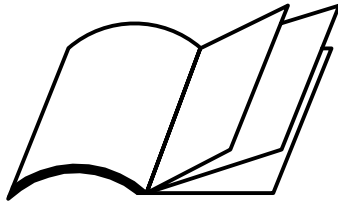


5



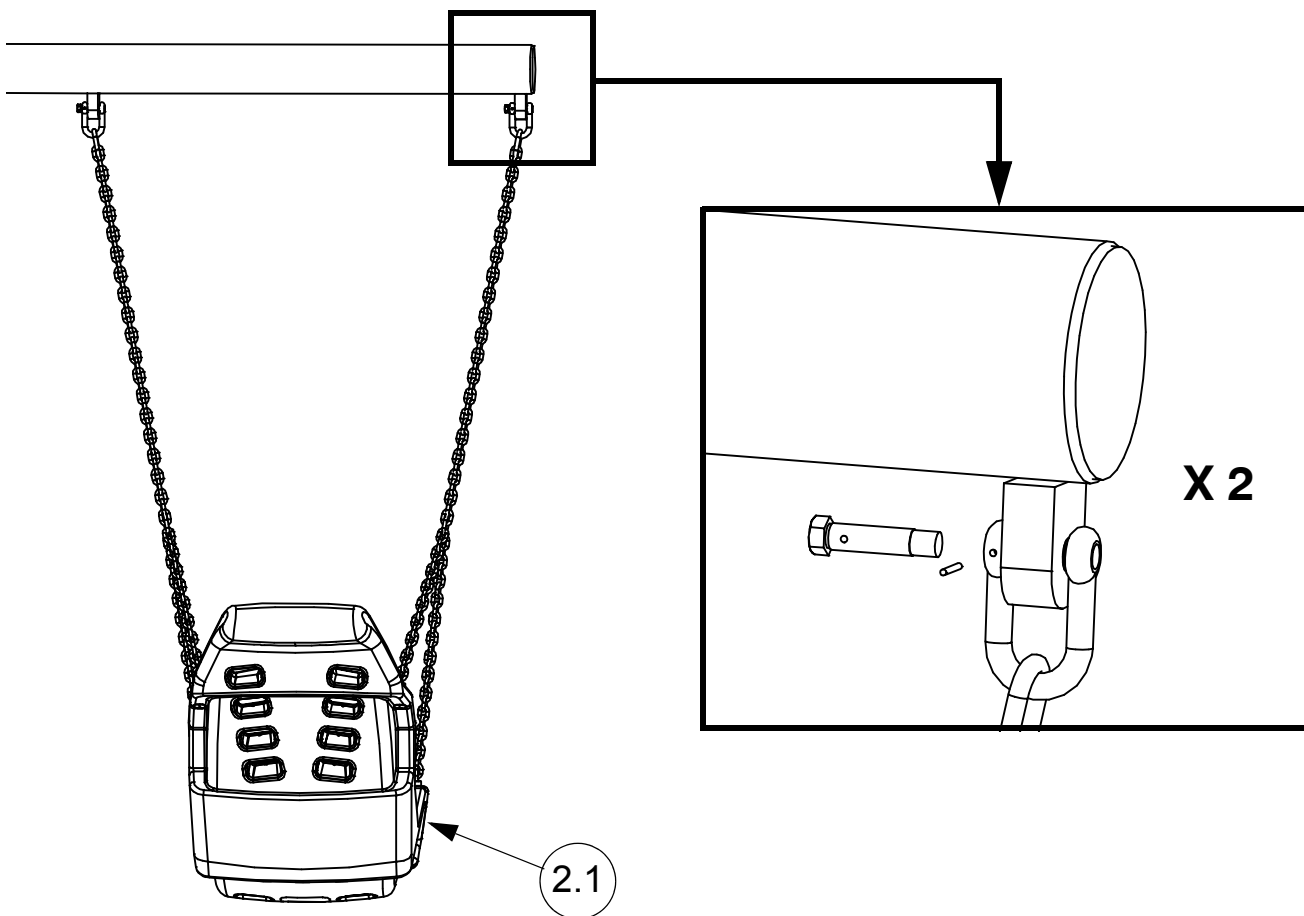
6



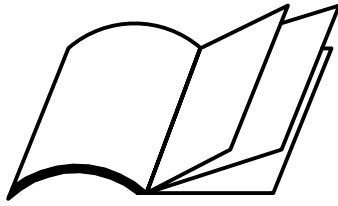


:

88020801

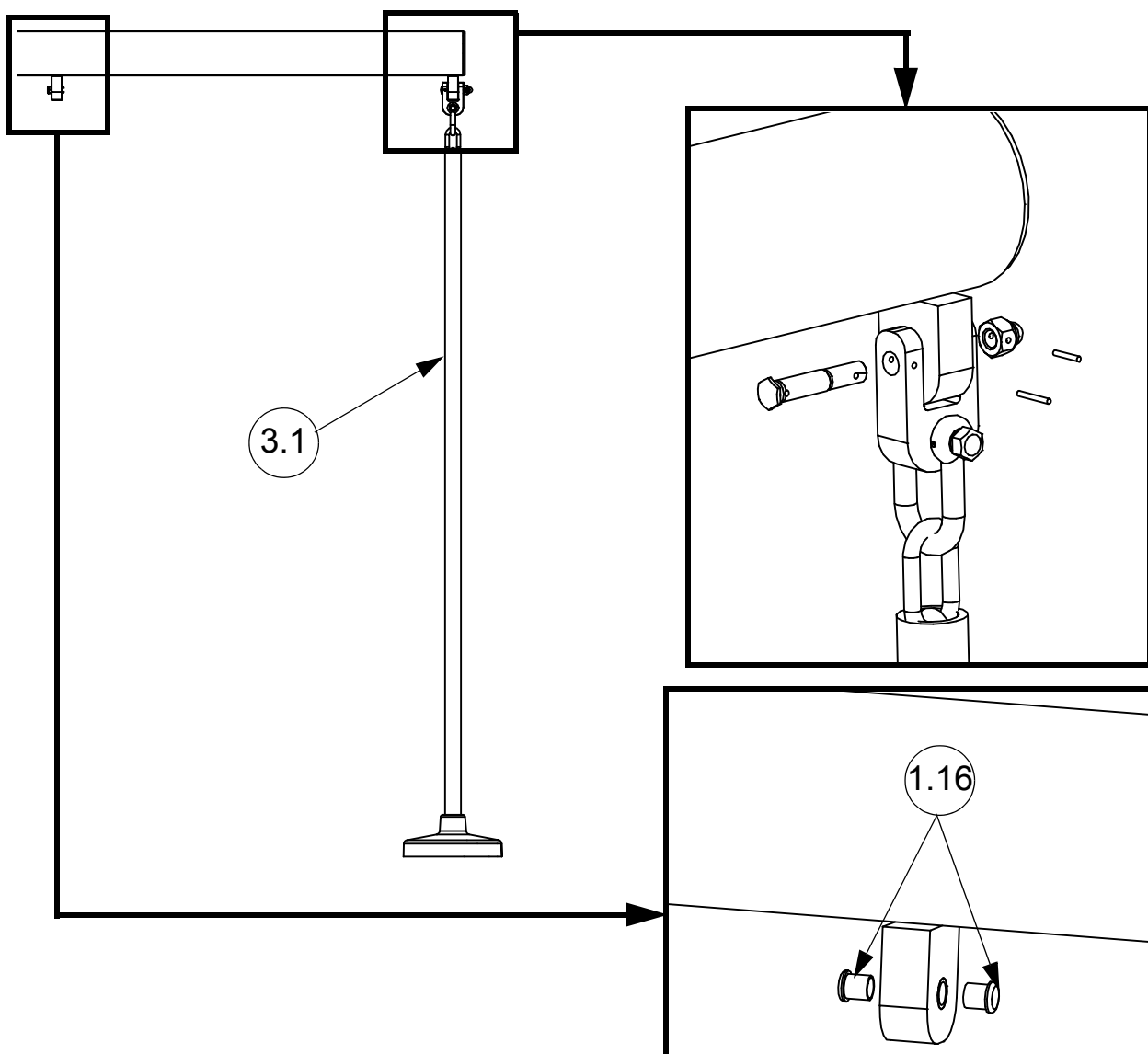


				kg
2.1	88020801		1x	13.50

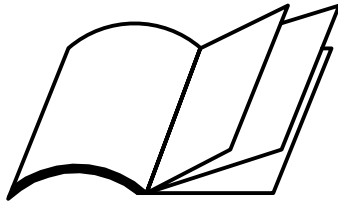


:

71240801

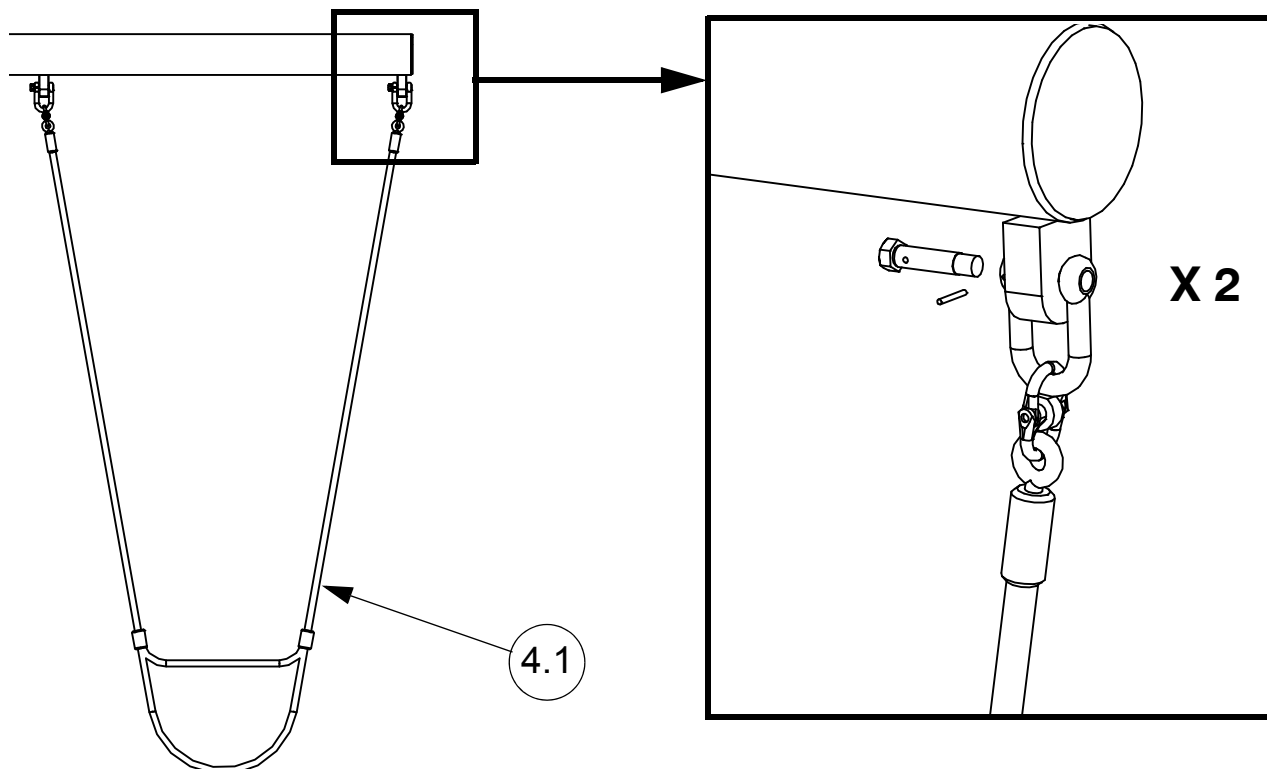


				kg
3.1	71240801	<p>1835</p>	1x	5.25

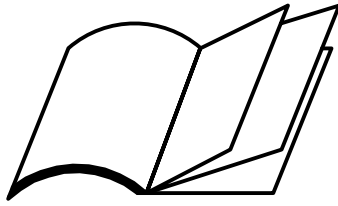


:

71240802

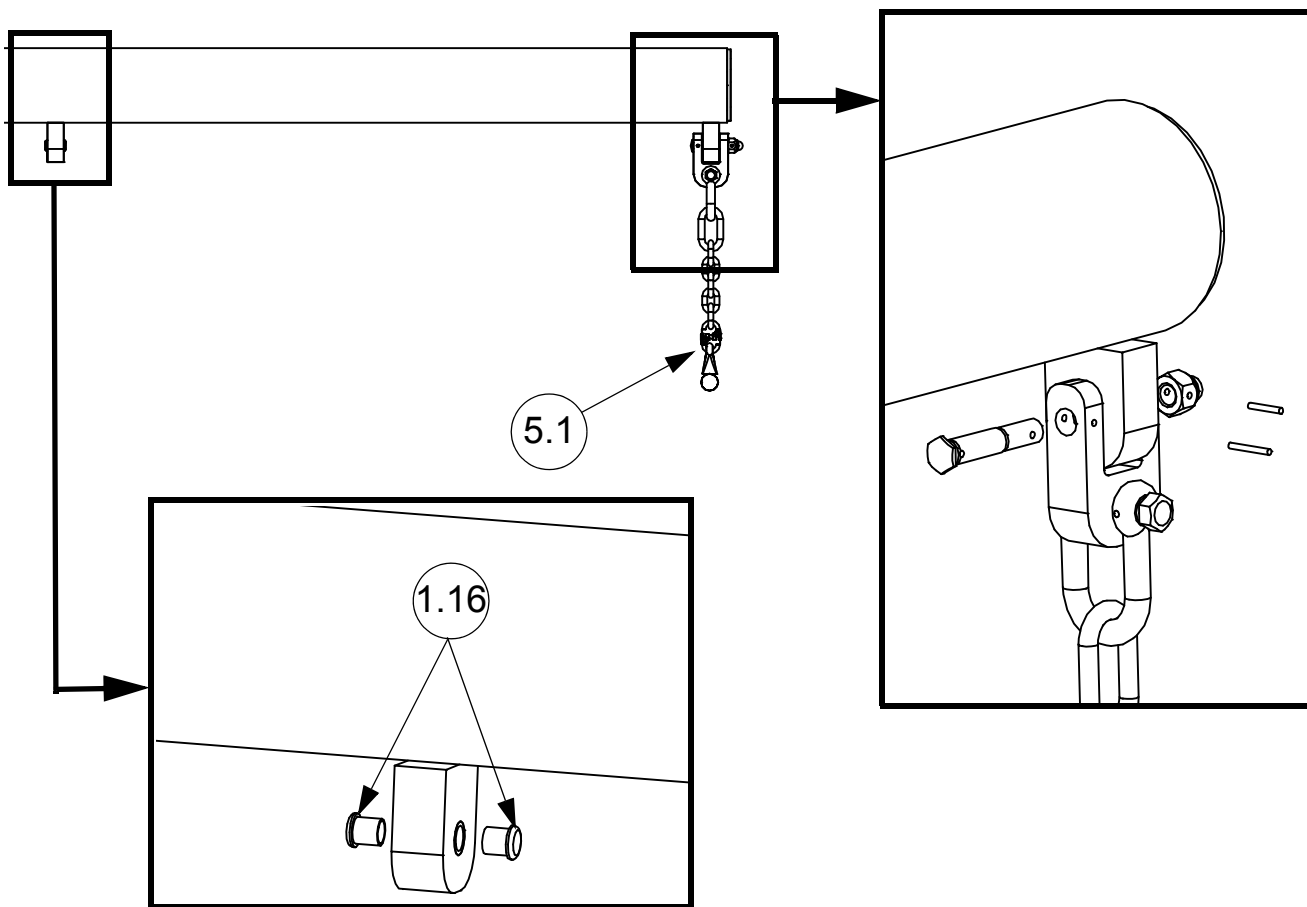


				kg
4.1	71240802		1x	3.30

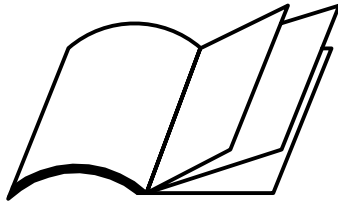


:

71240803

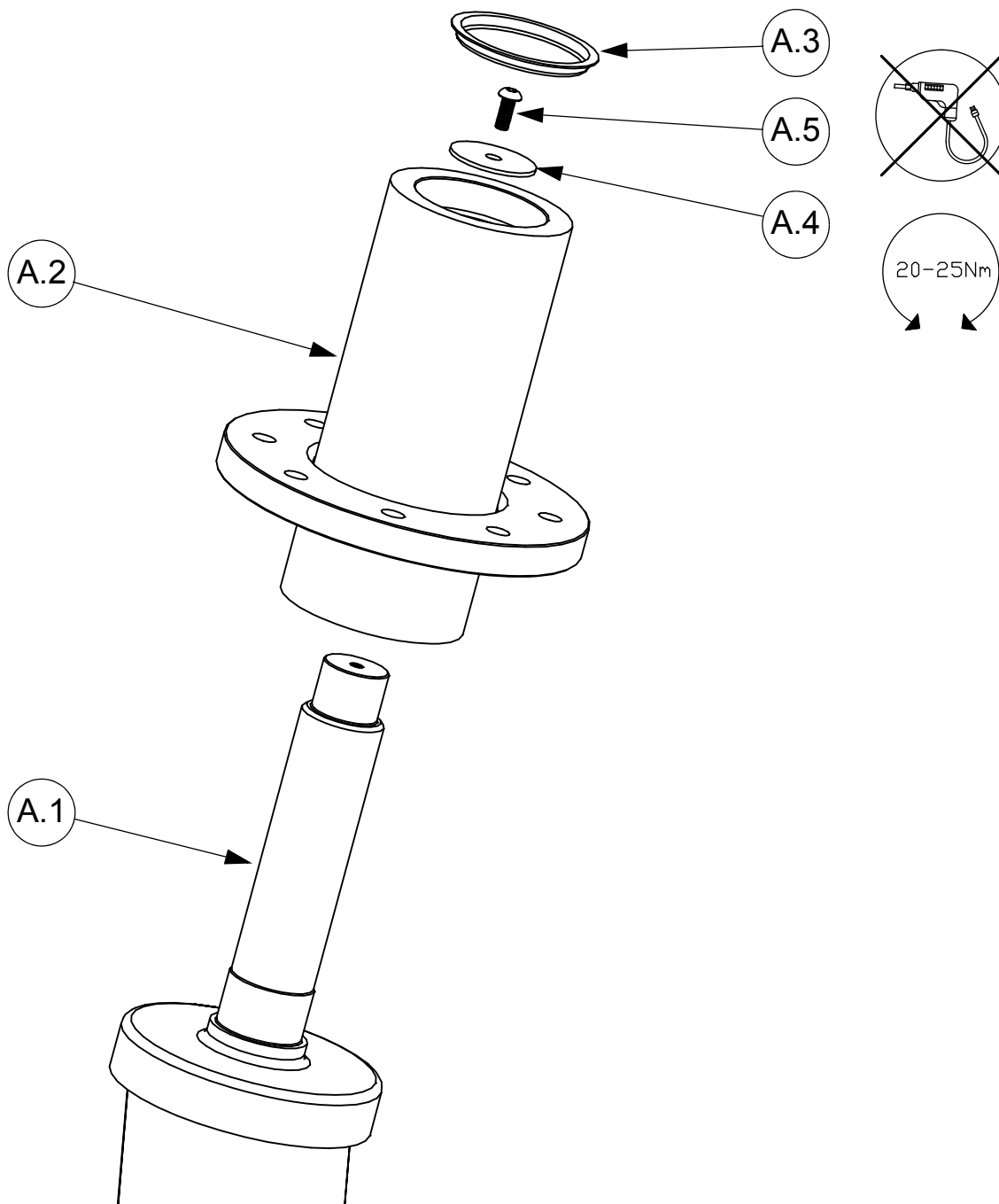


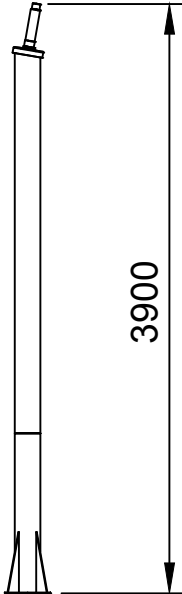
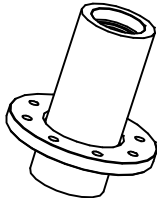

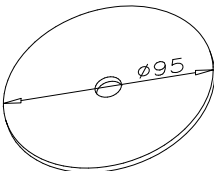
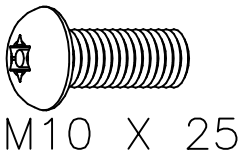
				kg
5.1	71240803		1x	1.25

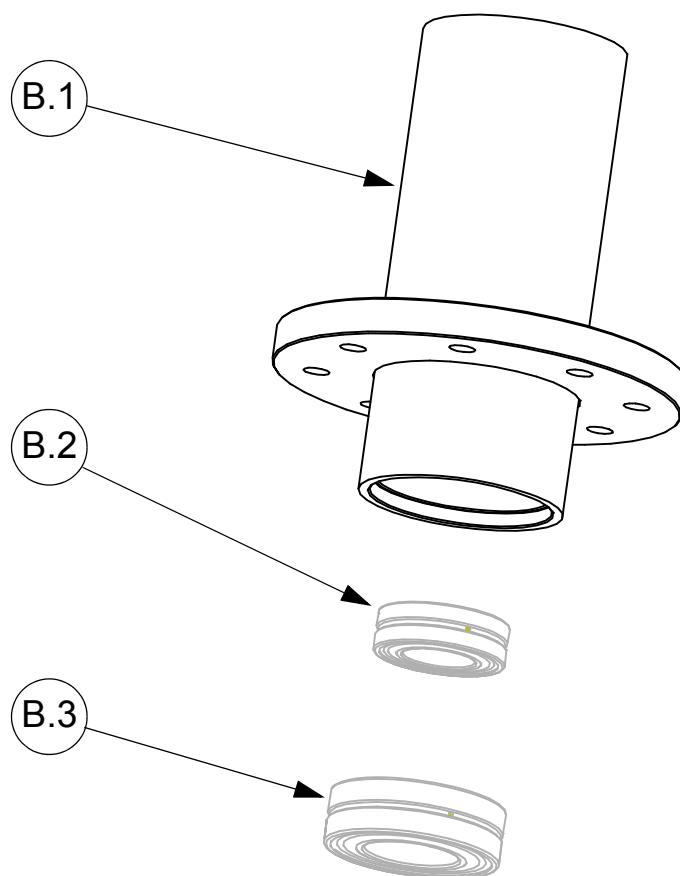


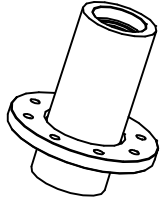
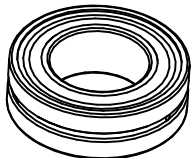
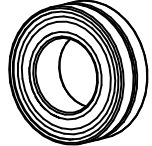
A:

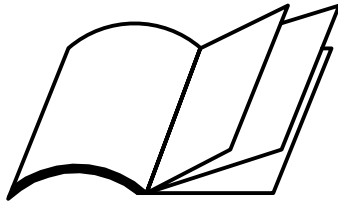
* 71200100



		71200100		kg
A.1	71200300		1x	116.00
A2	71200105		1x	23.00
A.3	19055080		1x	0.013
A4	71000111		1x	0.08
A5	10121025	 M10 X 25	1x	0.011

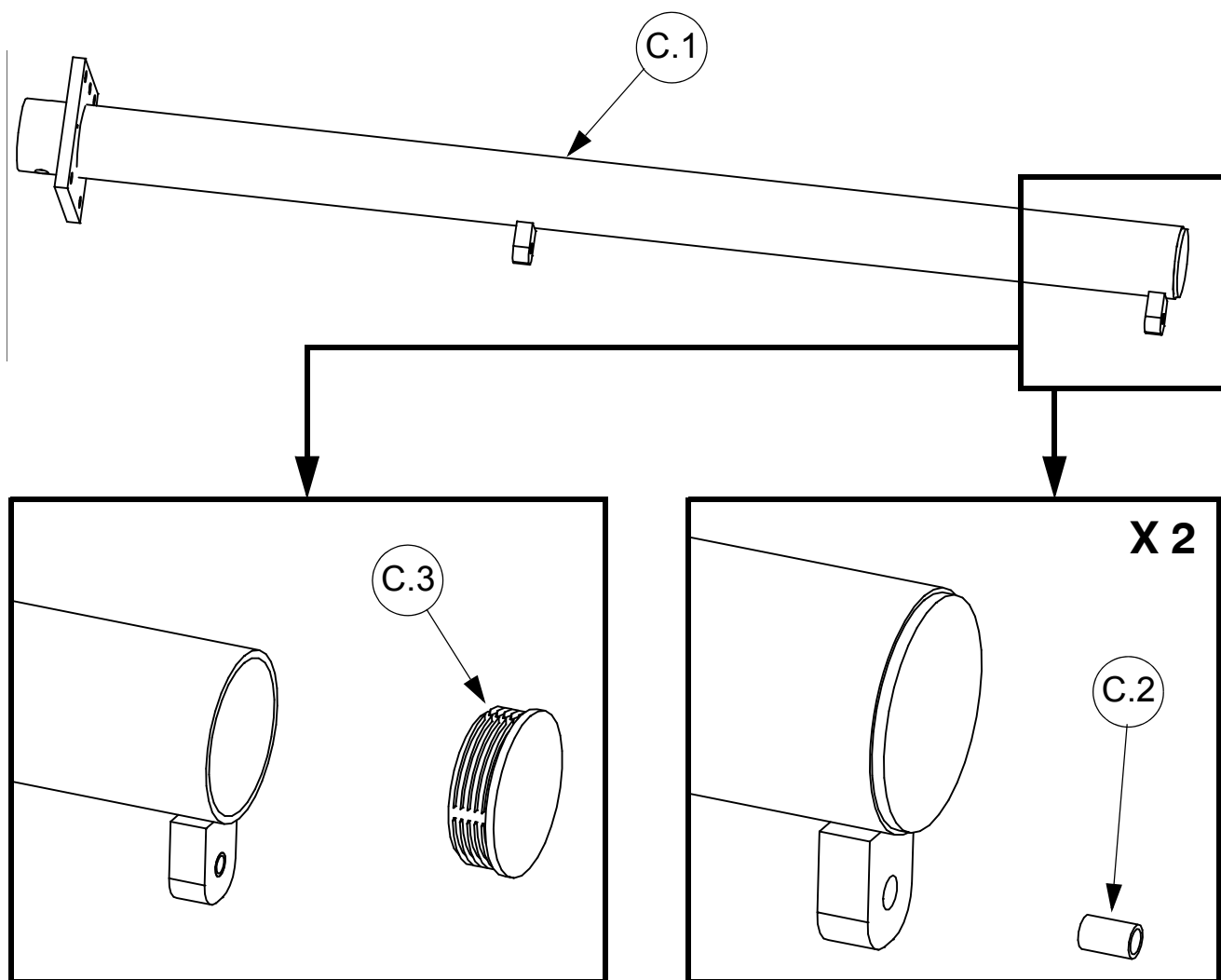
B:*** 71200105**

		71200105		
				kg
B.1	71200310		1x	21.00
B.2	71022210		1x	0.70
B.3	71022213		1x	1.60

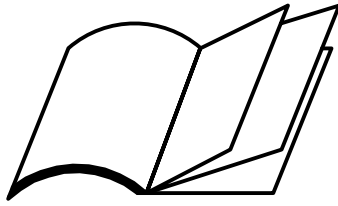


C:

* 71200110

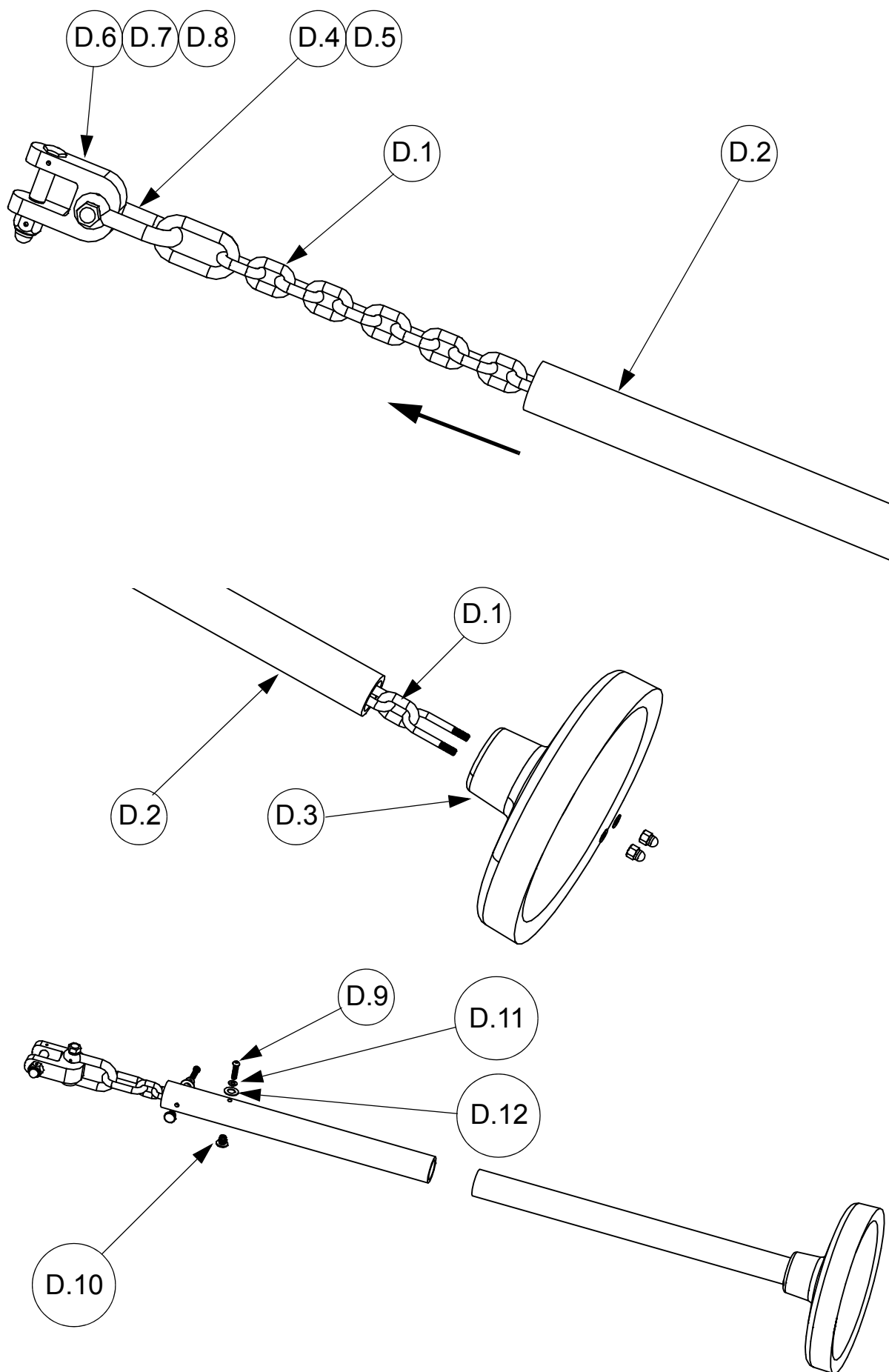


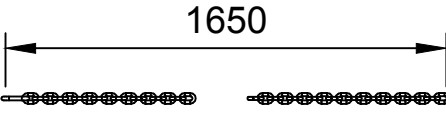
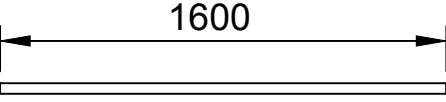
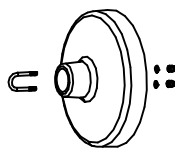
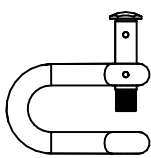

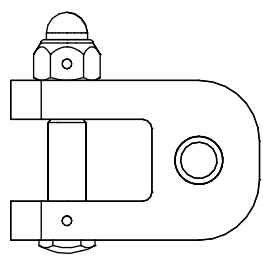
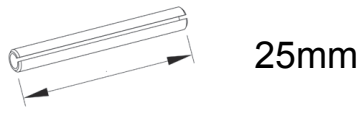
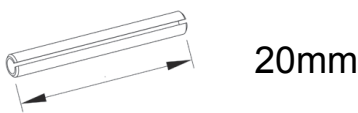
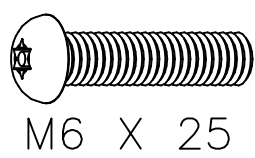

		71200110		kg
C.1	71200325		1x	30.00
C.2	15011612		3x	0.002
C.3	19055100		1x	0.052

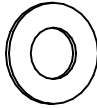
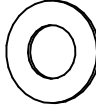


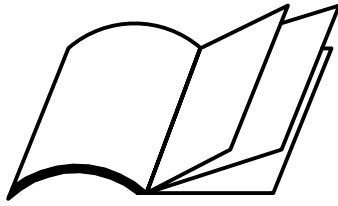
D:

* 71240801



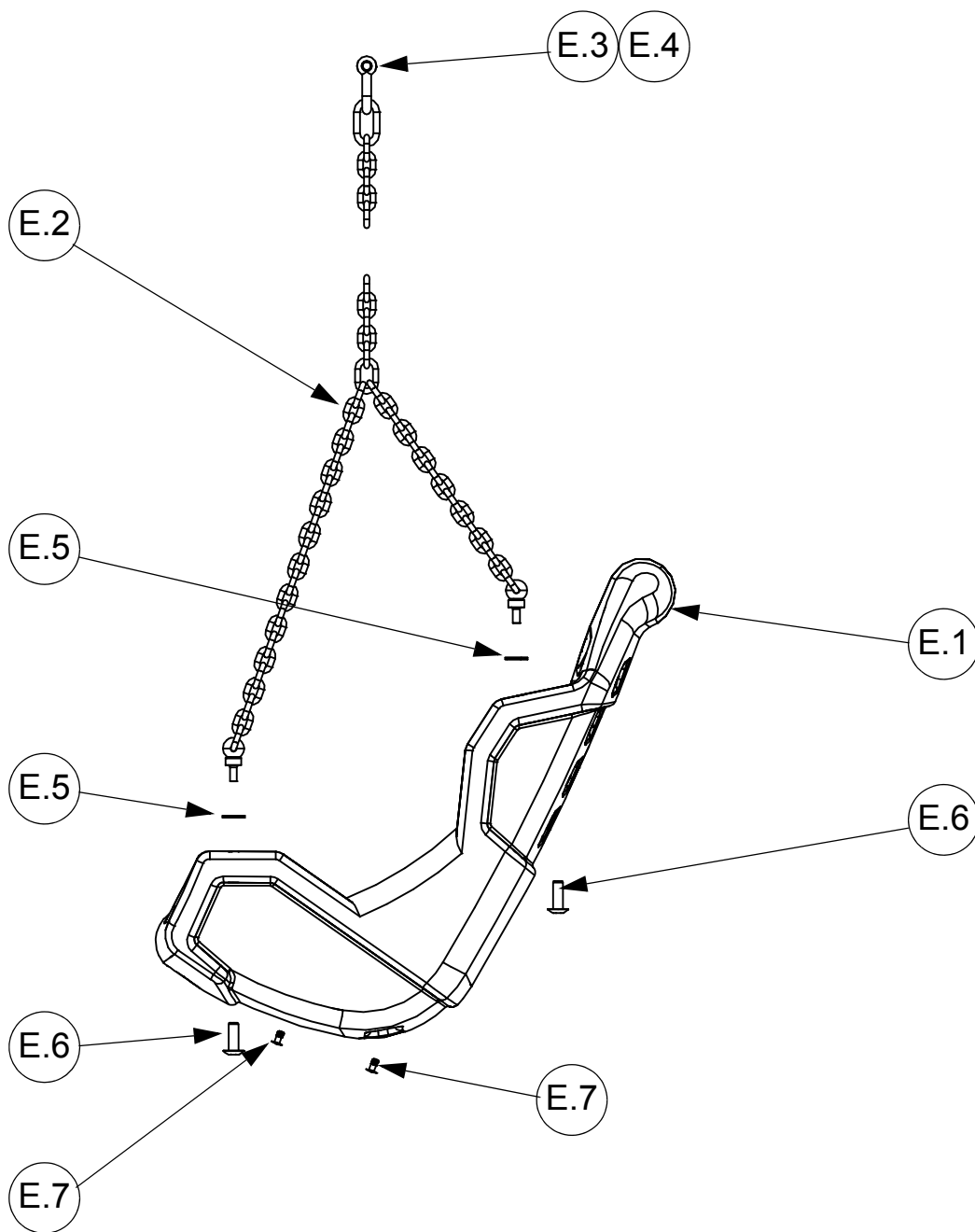
		71240801		kg
D.1	71200510		1x	3.75
D.2	71200515		1x	1.00
D.3	109906		1x	0.25
D.4	88096003		1x	0.25
D.5	10310325		1x	0.002
D.6	71200115		1x	0.50
D.7	10310330		1x	0.002
D.8	10310331		1x	0.002
D.9	10120625		2x	0.011
D.10	10930600		2x	0.006

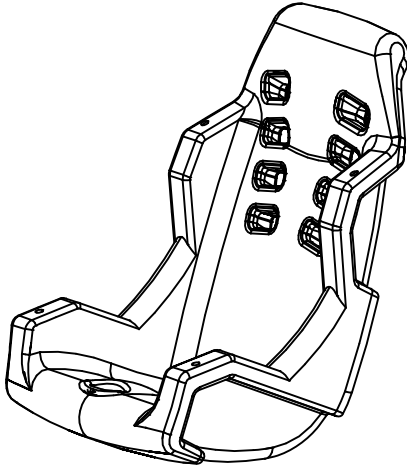
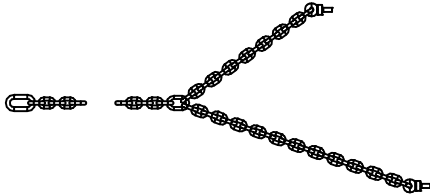
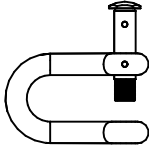

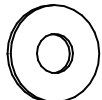
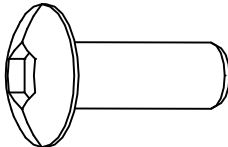
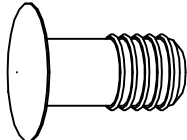
		71240801		kg
D.11	10290600	 M6 6.4X12.6X1	2x	0.001
D.12	10291000	 M10 11X21X1	2x	0.002



E:

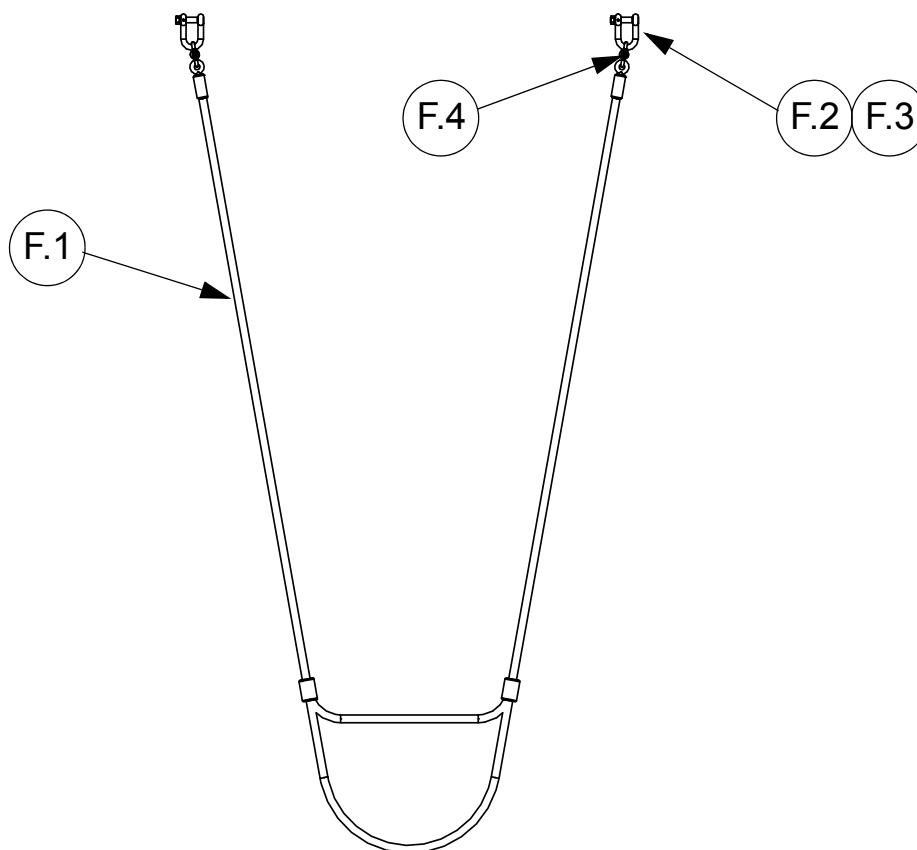
* 88020801



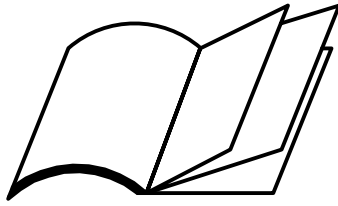
		88020801		kg
E.1	88020901		1	6.70
E.2	88020802		2x	6.00
E.3	88096003		2x	0.25
E.4	10310325		2x	0.002
E.5	10303212	 T5 13X32X2.6	4x	0.011
E.6	88020902		4x	0.054
E.7	19024501		4x	0.001

F:

* 71240802

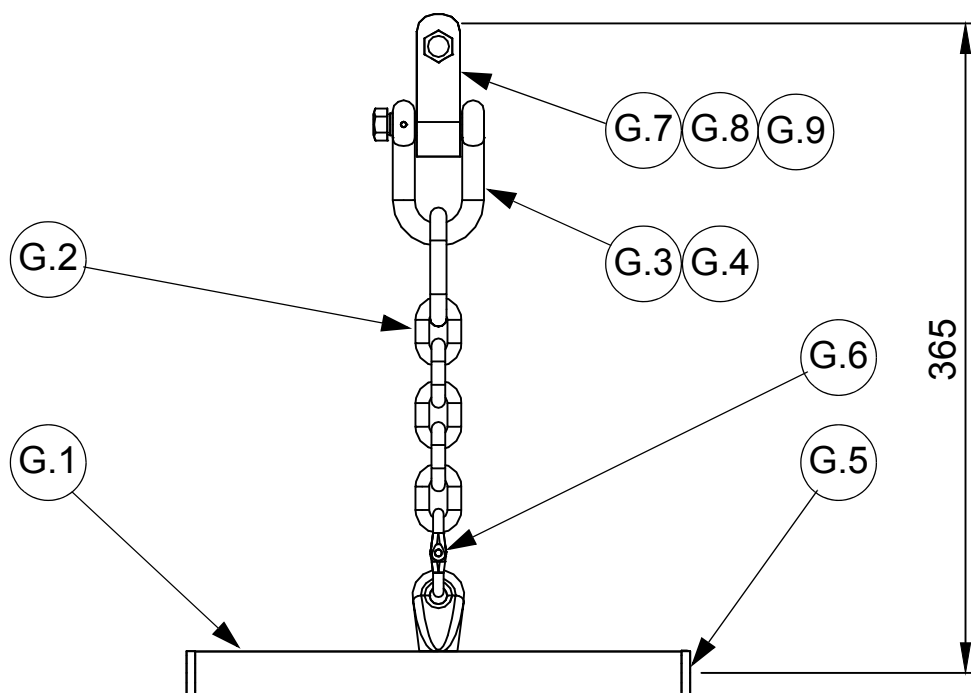




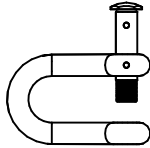


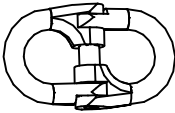
		71240802		
				kg
F.1	71200540		1x	2.50
F.2	88096003		2x	0.25
F.3	10310325		2x	0.002
F.4	15716000		2x	0.100

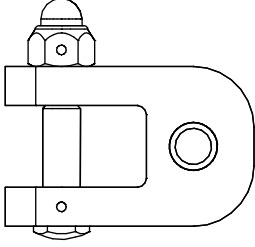
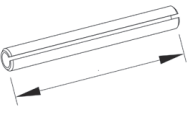
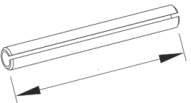


G:

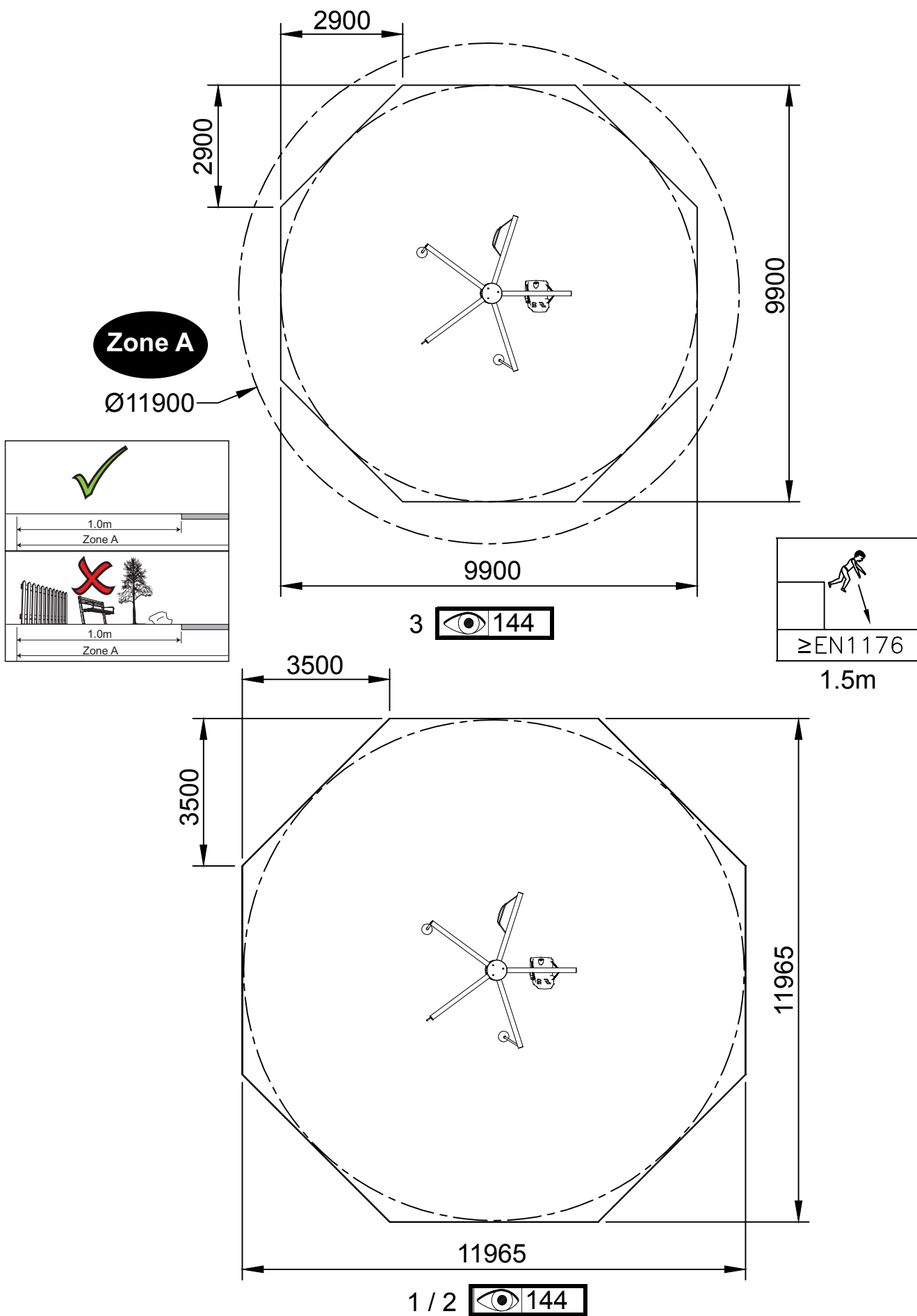
* 71240803



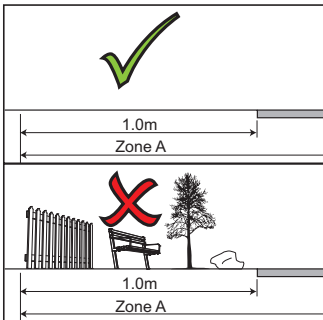
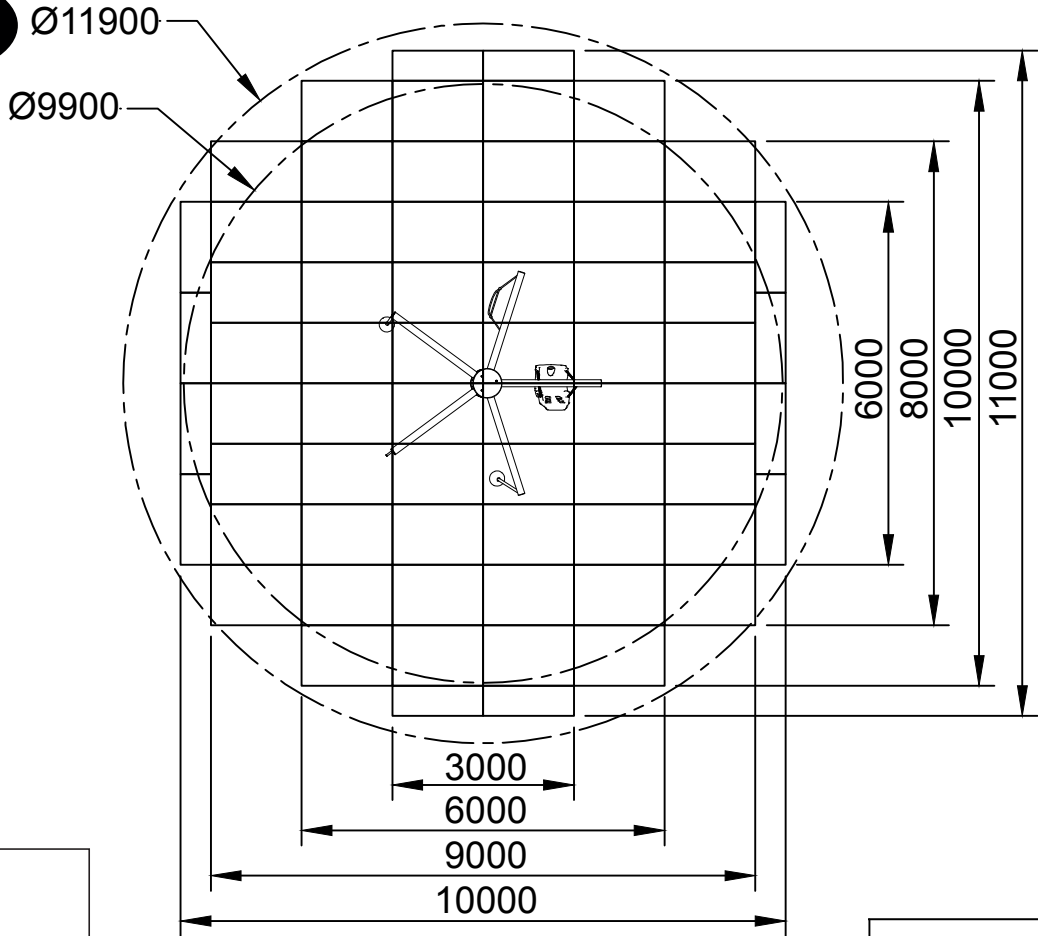
		71240803		kg
G.1	71200330		1x	0.40
G.2	71200520		1x	0.60
G.3	88096003		1x	0.25
G.4	10310325		1x	0.002
G.5	409118		2x	0.004
G.6	15715000		1x	0.100

		71240803		kg
G.7	71200115		1x	0.50
G.8	10310330	 25mm	1x	0.002
G.9	10310331	 20mm	1x	0.002

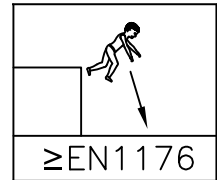
H:



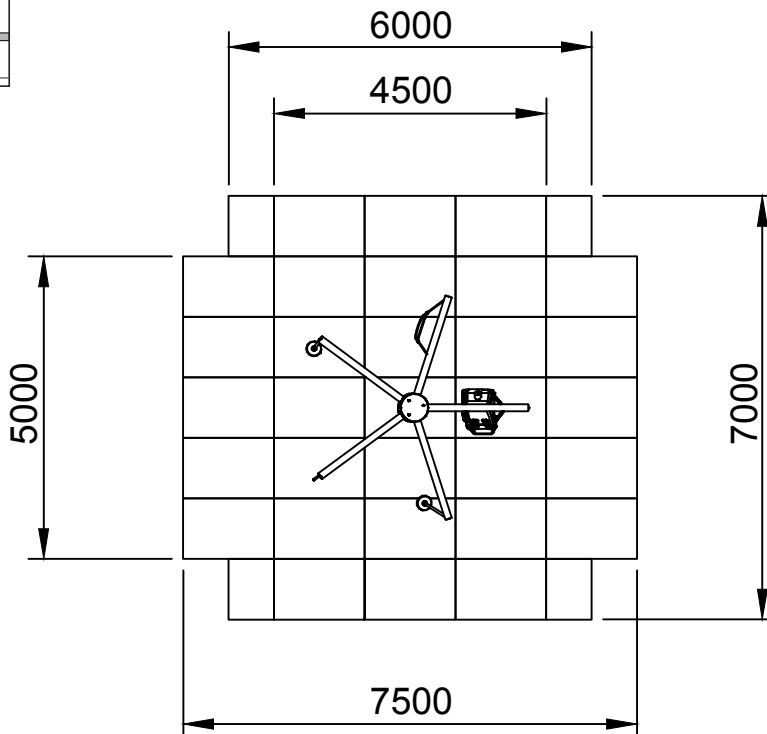
Zone A



5  144



1.5m



5  144